

# SF-7016 STUNNER



The new **Simmons SF-7016 Stunner** is specifically designed to properly stun small to large broilers as well as turkeys, using Simmons patent pending, combination of frequency and dual current. The Simmons' technique will not only maximize the overall quality of the meat, but it will also increase your final yield. The **SF-7016 Stunner** assures that the birds are stunned immediately upon contact to the water by using an insulated rump bar and breast bar. The newly designed **SF-7016** cabinet uses metered saline solution which results in using less water and salt usage. **SF-7016** address the USDA and CFIA issues for Animal Welfare.

**Simmons SF-7016** accommodates all line speeds, and the modular construction allows for additional sections to be added without replacing the entire system.

Simmons' concept combined, with **Simmons SK-5 Killing Machine** will result in the most efficient bleed out, and prevents the bird from recovery during bleeding.

## Features:

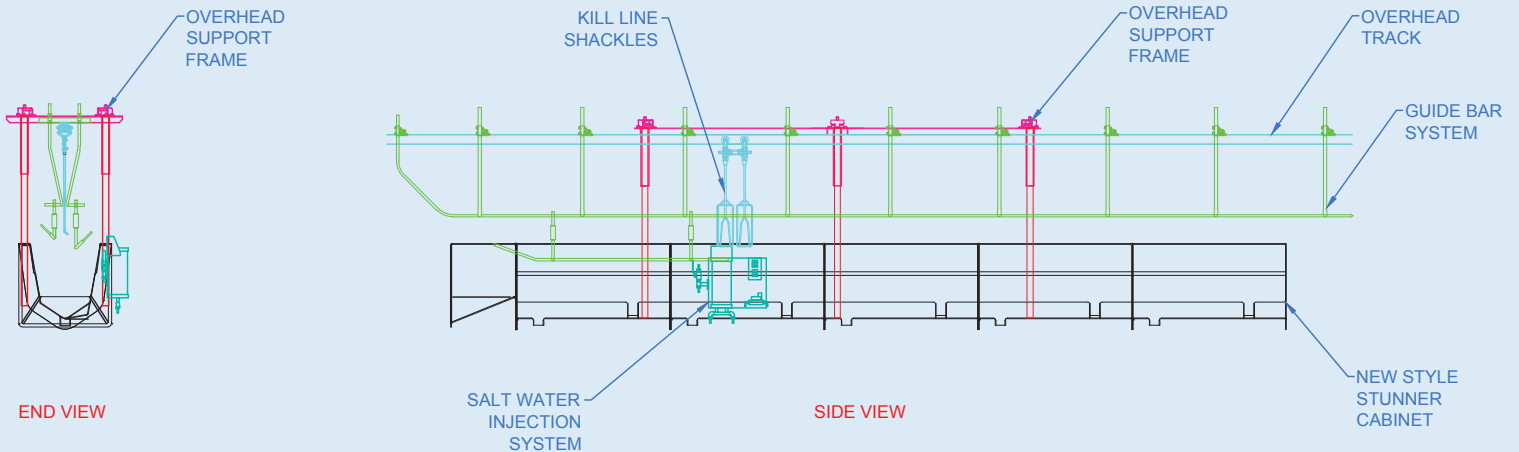
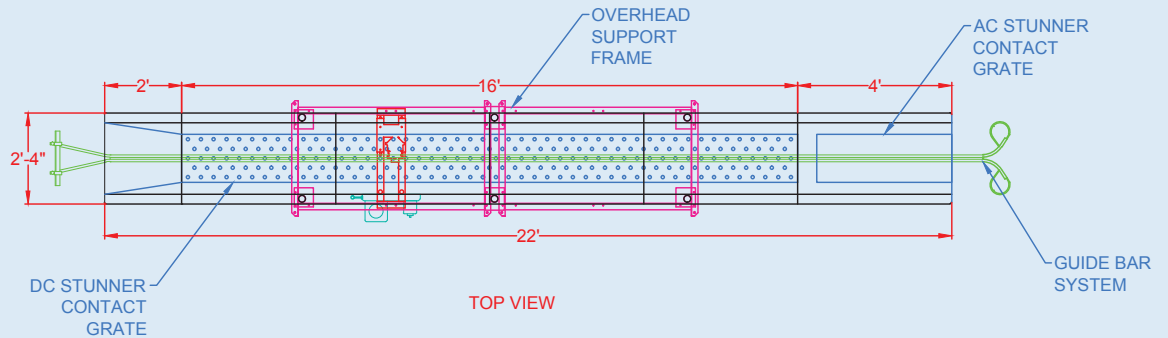
- "U" - Shaped Cabinet
- Accomodates Larger Bird
- Electronic control ensures proper saline level
- Stainless Steel Guide Bar Kit
- Available Guide Bar Kit for Plastic Shackles
- Wide Stainless Steel Contact Plate
- Pneumatic adjustment
- Easy height adjustment for flock variation
- Power Supplies Protected
- NEMA 4x Stainless Steel Enclosure
- Digital Display
- Optional Voltage Data Logger
- USDA Approved Materials

# SIMMONS

*S E C Incorporated*

# SF-7016 STUNNER

## INSTALLATION INFORMATION & REQUIREMENTS



SIMMONS SF-7016 16 FT. STUNNER  
SIMMONS PART NO: 06800-05-16

As part of Simmons policy to on-going product improvement, we reserve the right to modify features & requirements.

**SIMMONS**

*S E C Incorporated*

91 Simmons Industrial Place P.O. Box 546 Dallas, GA 30132 USA

T: 888.445.6085

Info@SimEngCo.com

www.SimmonsEngineeringCompany.com